

HF750

Horizontal Floor Standing Measuring Projector



The HF750 features a 30" (750mm) screen diameter, a 12" x 8" (300 x 200mm) measuring range, 3" (75 mm) focal travel, and a 25" x 9" (625 x 225mm) staging area

Features

- Rigid and stable heavy-duty, metal construction
- Vertically correct image
- Fully useable 30" (750mm) diameter screen with crosslines and calibration marks
- Nickel-plated steel stage with cross roller bearings
- Dual fixturing slots
- Hood and curtains supplied as standard
- Dual intensity (hi/low) tungsten halogen profile illumination with yellow/green filter
- 330 lb. (150 kg) capacity
- Built-in digital protractor with DD/DMS conversion
- Motorized X and Y axes
- Multi-position three position external lens turret.
- 5x lens available on special order (replaces turret)
- Threadless X-axis quick release for "zero" backlash
- Protective guideway covers for X and Y axes
- Centrally mounted vertical (Y-axis) scale (in-line with lens/workpiece)
- Optical edge detection (optional)
- Available as manual, motorized, and CNC
- Choice of Quadra-Chek® readout systems

Starrett[®]
Metrology Systems Division

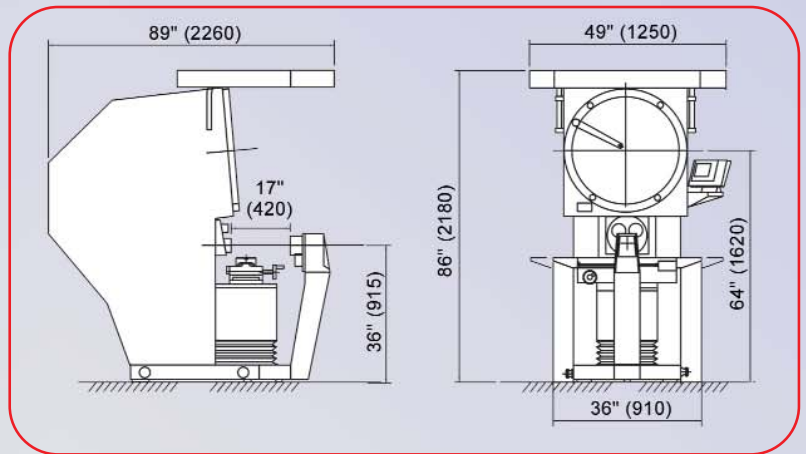
Specifications subject to change.

770-590-7737 • www.starrett.com

HF750

Horizontal Floor Standing Measuring Projector

Specifications & Reference



Technical Specifications

Screen Diameter: Fully useable 30" (750mm) diameter screen with crosslines and calibration marks

Workstage Support:
Power travel knee with variable joystick control

Workstage Measuring:
Top Plate – 25" x 9" (630mm x 230mm) staging area
Travel – 12" x 8" (300mm x 2000mm) measuring range (Extend X axis available)
Focal Travel – 3" (75mm)

Workstage Capacity:
110 lb. (50 kg) negligible deflection
330 lb. (150 kg) maximum

Workstage Capacity Between Centers:
17.3" (440 mm)

Helix Angles: Helix angle stage adjustable $\pm 15^\circ$

Illumination

Profile – Dual intensity (hi/low) tungsten halogen profile with yellow/green filter, fan cooled

Surface – Dual bundle, adjustable, fan cooled fiber optic system (Optional High intensity, dual lamp system)

Measurement Display Systems:

Linear – Heidenhain .00005" (0.001mm) resolution scales

Quadra-Chek readout systems with optional edge sensing

Angle – Built-in digital protractor with DD/DMS conversion (1 minute resolution)

Lenses: 10x, 20x, 25x, 31.25x, 50x, and 100x magnifications available
Single lense mount or three lense turret

Specifications subject to change.

Terminology

Working Distance is the distance between the objective lens and the component when the component is in focus.

Field of View (FOV) is the viewing area of the component. A 30mm FOV using a 10x lens would produce a screen image of 300mm.

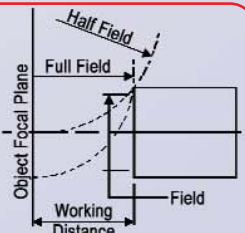
Half Field View is the maximum size a component can be projected to the center of the screen before colliding with the lens.

Full Field View is the maximum size a component can be projected over the full screen before colliding with the lens.

Projected Image is how a component is projected onto the screen in relation to its placement on the workstage.

Guide to Maximum Component Size (In inches)

Magnification		X5	X10	X20	X25	X50	X100
Field of View		5.91	2.95	1.48	1.18	0.59	0.30
Working Distance		9.06	5.94	3.98	3.62	2.36	1.89
Max Work Diameter	Half Field	15.75	15.75	13.39	11.02	5.71	6.30
	Full Field	15.75	13.69	9.45	8.66	4.92	5.12
Projected Image		Vertically Correct					



Starrett
Metrology Systems Division

1000 Cobb Place Boulevard, Building 100, Suite 100
Kennesaw, GA 30144

Tel.: 770-590-7737 • Fax: 770-590-7511

www.starrett.com

J.W. DONCHIN CO.

www.jwdonchin.com

Precision Measuring Equipment and Industrial Supplies since 1924.

4841 W. Chicago Ave. - Chicago, IL 60651 • Phone: 773-261-2182 • Fax: 773-261-2867 • sales@jwdonchin.com

J.W. Donchin Co. was established in 1924 and has been known world wide ever since. Customer Service is our Main Focus. We offer **Expert Product Knowledge, Large Stocking Inventory and Competitive Pricing** to assist you in locating and selecting the correct tool or product to fit your needs. (J.W. Donchin Co. is one of L.S. Starrett's largest stocking distributors.)

Contact Information:

Sales

Phone: 773-261-2182

Fax: 773-261-2867

Email: sales@jwdonchin.com

Website: www.jwdonchin.com