

VB400

Vertical Benchtop Measuring Projector



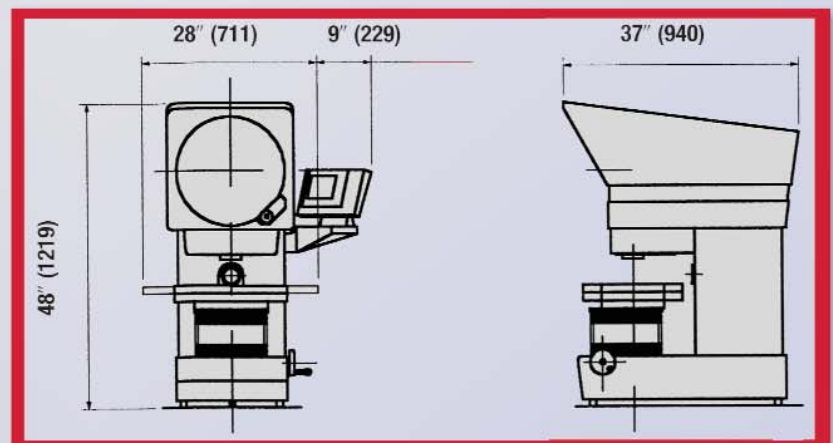
Ideal for high or low volume parts. Can be used in calibration labs or on the shop floor as a stand-alone unit. Also a good choice for general purpose toolroom work to measure complex shapes and hole patterns easily and quickly

Features

- Accommodates components up to 22 lbs. (10kg)
- 360° angular movement to 1 minute of arc with electronic protractor
- Helix angle with universal indexing fixture
- Front working distances: 10x - 3.10 (80mm), 20x - 3.20 (82mm), 25x - 2.80 (70mm), 50x - 2.10 (53mm), 100x - 1.70 (43mm)
- Profile illumination – Switchable high/low intensity, fan-cooled, tungsten halogen lamp with yellow/green filter
- Surface illumination – On-axis system
- Q-Axis displayed in digital readout
- Integral hood

Optional Features

- Workstage options:
 1. Top plate: 160 x 90 (400 x 225mm)
Glass insert: 9 1/40 x 5 1/20 (240 x 140mm)
Measuring travel: 80 x 40 (200 x 100mm)
 2. Top plate: 17.70 x 11.20 (450 x 285mm)
Glass insert: 11.40 x 7 1/20 (290 x 190mm)
Measuring travel: 100 x 60 (250 x 150mm)
- Workstage travel:
 1. Motorized or full CNC option
 2. Manual hand-focus travel 40 (102mm)
- Projection lens choices: 10x, 20x, 25x, 31.25x, 50x, 100x with a single lens or a 3-lens turret mount



Starrett®

Metrology Systems Division

Specifications subject to change.

770-590-7737 • www.starrett.com

J.W. DONCHIN CO.

www.jwdonchin.com

Precision Measuring Equipment and Industrial Supplies since 1924.

4841 W. Chicago Ave. - Chicago, IL 60651 • Phone: 773-261-2182 • Fax: 773-261-2867 • sales@jwdonchin.com

J.W. Donchin Co. was established in 1924 and has been known world wide ever since. Customer Service is our Main Focus. We offer **Expert Product Knowledge, Large Stocking Inventory and Competitive Pricing** to assist you in locating and selecting the correct tool or product to fit your needs. (J.W. Donchin Co. is one of L.S. Starrett's largest stocking distributors.)

Contact Information:

Sales

Phone: 773-261-2182

Fax: 773-261-2867

Email: sales@jwdonchin.com

Website: www.jwdonchin.com