

# VF600

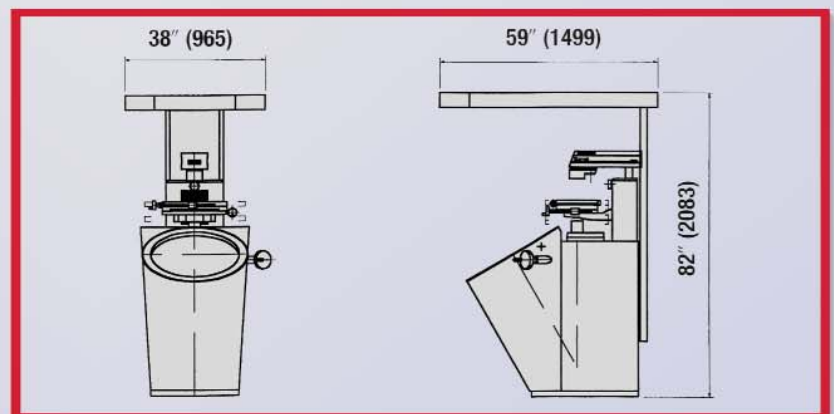
## Vertical Floor Standing Measuring Projector

### Features



- Screen is angled 30° from horizontal for clear, easy viewing
- Workstage plate is 160 x 90 (400 x 225 mm)
- Glass insert is 9 1/4 x 5 1/2 (235 x 140mm)
- Workstage travel is 80 x 40 (200 x 100mm)
- Accommodates components up to 66 lbs. (30kg)
- 360° angular measurement to 1 minute of arc with electronic protractor
- Helix angle:  $\pm 10^\circ$  lamphouse adjustment
- Front working distances:
  - 5x - 8.60 (220mm),
  - 10x - 5.40 (138mm),
  - 20x - 50 (127mm),
  - 25x - 4.10 (103mm),
  - 50x - 3.50 (88mm),
  - 100x - 1.70 (44mm)
- Profile illumination – High-power, fan-cooled, tungsten halogen 150W lamp with yellow/green filter
- Surface illumination – Fan-cooled 150W lamp/fiber-optic system
- Hood and curtains
- Manual, motorized or CNC workstage travel available
- Projection lens choices 10x, 20x, 25x, 31.25x, 50x, 100x or a 3-lens turret (special order 5x fixed lens)

Especially suitable for larger components found in the electronics, pressings, and extrusion industries. The VF600 is ideal for use with overlays.



# Starrett®

Metrology Systems Division

Specifications subject to change.

770-590-7737 • [www.starrett.com](http://www.starrett.com)

**J.W. DONCHIN CO.** [www.jwdonchin.com](http://www.jwdonchin.com)

Precision Measuring Equipment and Industrial Supplies since 1924.

4841 W. Chicago Ave. - Chicago, IL 60651 • Phone: 773-261-2182 • Fax: 773-261-2867 • [sales@jwdonchin.com](mailto:sales@jwdonchin.com)

---

J.W. Donchin Co. was established in 1924 and has been known world wide ever since. Customer Service is our Main Focus. We offer **Expert Product Knowledge, Large Stocking Inventory and Competitive Pricing** to assist you in locating and selecting the correct tool or product to fit your needs. (J.W. Donchin Co. is one of L.S. Starrett's largest stocking distributors.)

#### Contact Information:

##### Sales

Phone: 773-261-2182

Fax: 773-261-2867

Email: [sales@jwdonchin.com](mailto:sales@jwdonchin.com)

Website: [www.jwdonchin.com](http://www.jwdonchin.com)